

X MTP Elite® connectors

X OM3, OM4 & OS2 Categories available

X 12, 24, 72 & 144 Core cable assemblies available

### Features

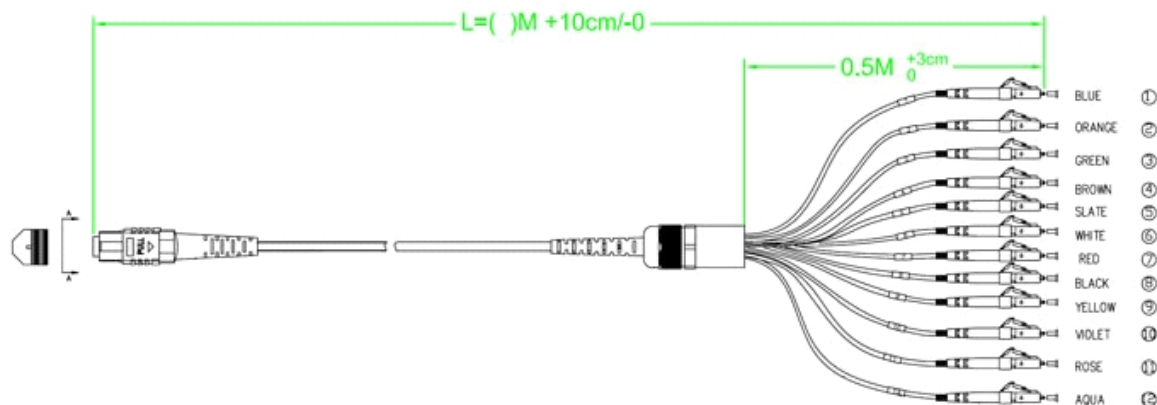
- MTP Elite® connectors
- 12, 24, 72 & 144 Core cable assemblies available
- LSOH Cable Jacket
- OM3, OM4 & OS2 Categories available
- Custom length

### Product Overview

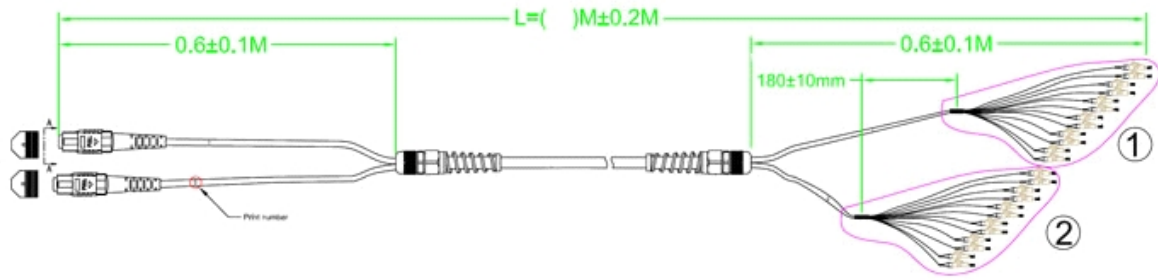
Excelerator MTP to LC Fan Out Cables offer a flexible way to connect fibre optic equipment to MTP Trunk Cables. The assembly uses the superior MTP Elite connector (without pints) from US Conec offering high performance and longevity. Each fan out cable is constructed with mini break out cable so that the fibre is a single piece in the assembly. For fan out cables that are 24 core and above the MTP is presented on a 600 mm section and the LC connectors are branched out and staggered to manage the connectivity. The overall length is specified by the customer when ordering, see part number table below.

### Cable Designs

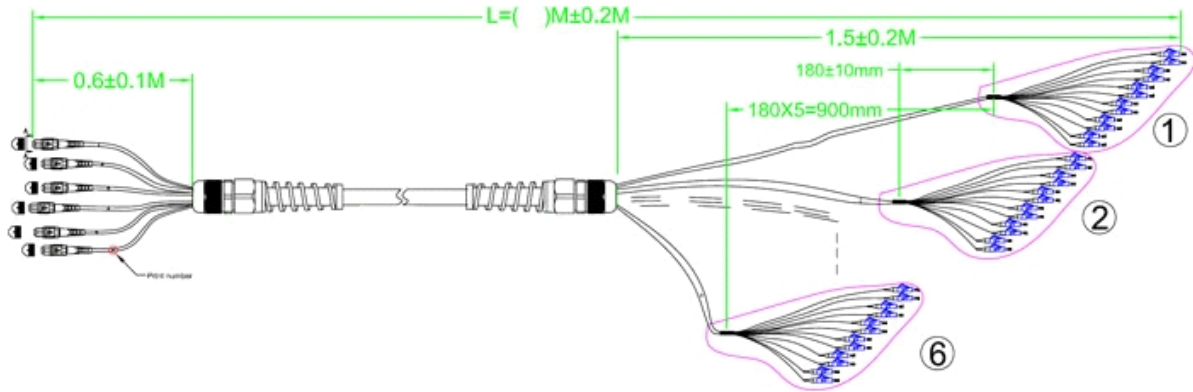
#### 12 Core Fan Out Cable



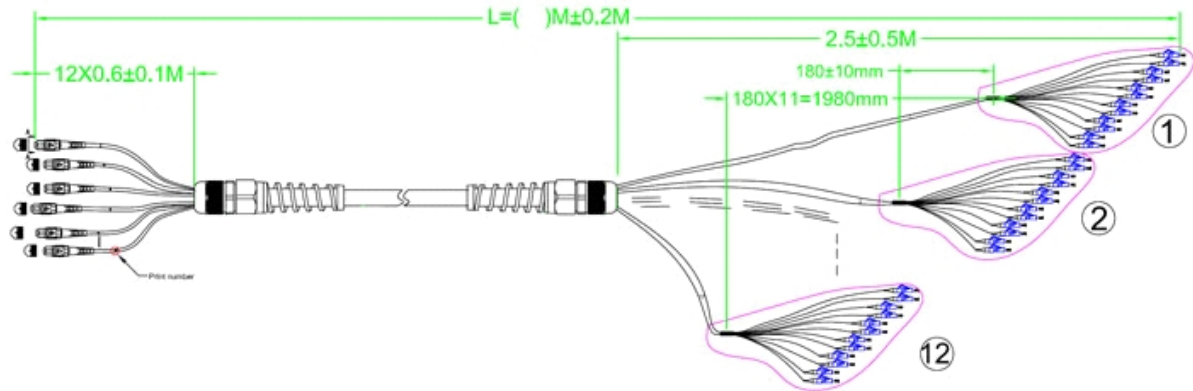
## 24 Core Fan Out Cable



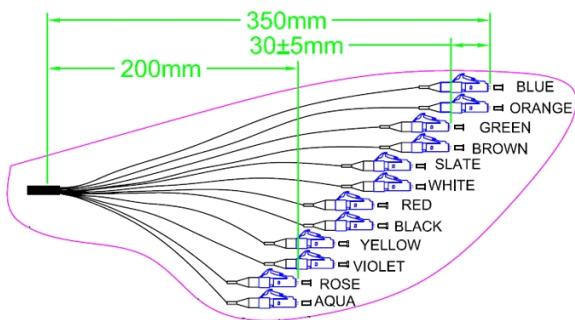
## 72 Core Fan Out Cable



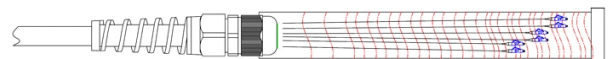
## 144 Core Fan Out Cable



## Fan Out Colours

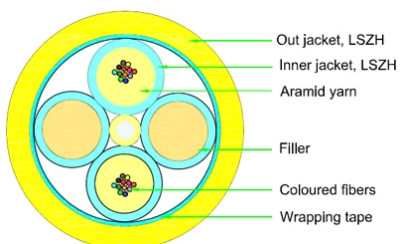


## End Protector

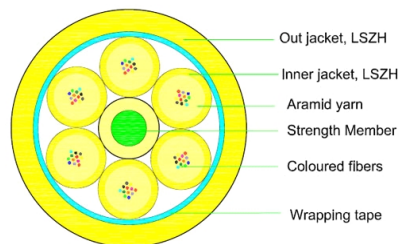


## Cable Sections

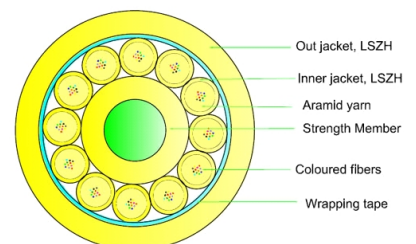
### 24 Core



### 72 Core



### 144 Core



## Cable Diameter

Cable	Nominal Diameter
12 Core	3.0 mm
24 Core	9.0 mm
72 Core	11.2 mm
144 Core	17.5 mm

## Performance / Specification

Parameter	Value
Multimode MTP - Insertion Loss	0.10dB Typical (All Fibres)
-	0.35dB Maximum (Single Fibre)
Multimode LC - Insertion Loss	≤ 0.20 dB @ 850 nm
Multimode MTP - Optical Return Loss	> 20dB
Singlemode MTP - Insertion Loss	0.10dB Typical (All Fibres)
-	0.35dB Maximum (Single Fibre)
Singlemode LC - Insertion Loss	≤ 0.20 dB @ 1310 nm
Singlemode MTP - Optical Return Loss	> 60dB
Singlemode LC - Return Loss	≥ 55 dB @ 1310 nm
Operating Temperature Range - 12 Core	-40 °C to +85 °C
MTP Connector	IEC 61754-7
LC Connector	IEC 61754-20

## OM3 Part Number Information

Part No.	Description
208-OM3-12C-FAN-XXX	Excelerator OM3 MTP to LC Fan Out Cable - 12 Core - XXX m
208-OM3-24C-FAN-XXX	Excelerator OM3 MTP to LC Fan Out Cable - 24 Core - XXX m
208-OM3-72C-FAN-XXX	Excelerator OM3 MTP to LC Fan Out Cable - 72 Core - XXX m
208-OM3-144C-FAN-XXX	Excelerator OM3 MTP to LC Fan Out Cable - 144 Core - XXX m

## OM4 Part Number Information

Part No.	Description
208-OM4-12C-FAN-XXX	Excelerator OM4 MTP to LC Fan Out Cable - 12 Core - XXX m
208-OM4-24C-FAN-XXX	Excelerator OM4 MTP to LC Fan Out Cable - 24 Core - XXX m
208-OM4-72C-FAN-XXX	Excelerator OM4 MTP to LC Fan Out Cable - 72 Core - XXX m
208-OM4-144C-FAN-XXX	Excelerator OM4 MTP to LC Fan Out Cable - 144 Core - XXX m

## OS2 Part Number Information

Part No.	Description
208-OS2-12C-FAN-XXX	Excelerator OS2 MTP to LC Fan Out Cable - 12 Core - XXX m
208-OS2-24C-FAN-XXX	Excelerator OS2 MTP to LC Fan Out Cable - 24 Core - XXX m
208-OS2-72C-FAN-XXX	Excelerator OS2 MTP to LC Fan Out Cable - 72 Core - XXX m
208-OS2-144C-FAN-XXX	Excelerator OS2 MTP to LC Fan Out Cable - 144 Core - XXX m

XXX= length in metres (nearest metre)

## System Warranty

The Excel System Warranty provides a 25-year product and applications assurance of compliance with the industry performance standard appropriate to the class of cabling installed. The warranty may be applied for by an accredited Excel Partner who has designed, supplied and installed the said system.



## axilan

c.so santorre di santarosa 36, cuneo, Cuneo, 12100, Italia

Tel: +390171692038

Email: [info@axilan.it](mailto:info@axilan.it) Web: [www.axilan.it](http://www.axilan.it)



**axilan**  
OPTICAL and COPPER WIRING

E&OE. Excel is a registered trade name of Mayflex Holdings Ltd.

[www.excel-networking.com](http://www.excel-networking.com)