



- X Range of heights - 6U through to 21U
- X Quick release side panels for easy access
- X Available Flat Pack or Assembled

**Features**

- Range of heights - 6U through to 21U
- Choice of colour
- Quick release doors and side panel
- Removable cable entry panel in top and base
- Quick release side panels for easy access
- Aesthetically pleasing framed safety glass front door
- Adjustable front and rear 19" mounting profiles
- Available Flat Pack or Assembled

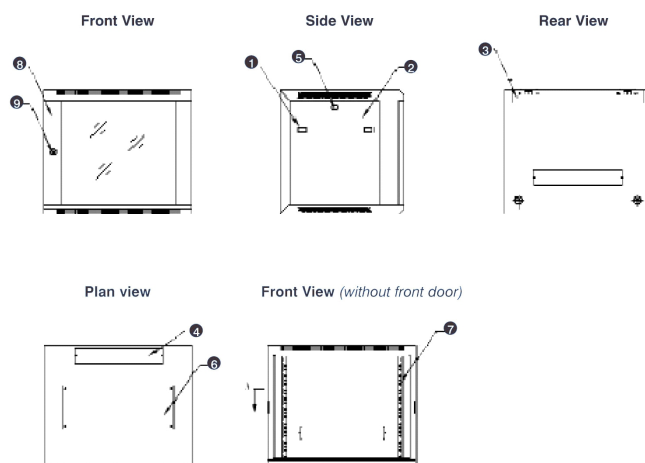
**Product Overview**

The Excel 390 series is a range of 19" 390mm wall mount racks designed for installation of both cabling and equipment, and is ideal for use across a range of applications including local area networking (LAN) cabling and hardware, and the housing of security and audio and visual equipment.

Each rack is designed with strength, ease of use and aesthetics in mind. Features such as quick release doors and side panels, fully adjustable front and rear profiles and above average access through the either the top or base of the rack make the product extremely flexible and easy to install rack and equipment into. The wall mount racks are available assembled or flat pack. The flat pack supplied version permits makes handling the rack onsite simple for one person. Due to the design the rack can be assembled 'on the wall' for ease.

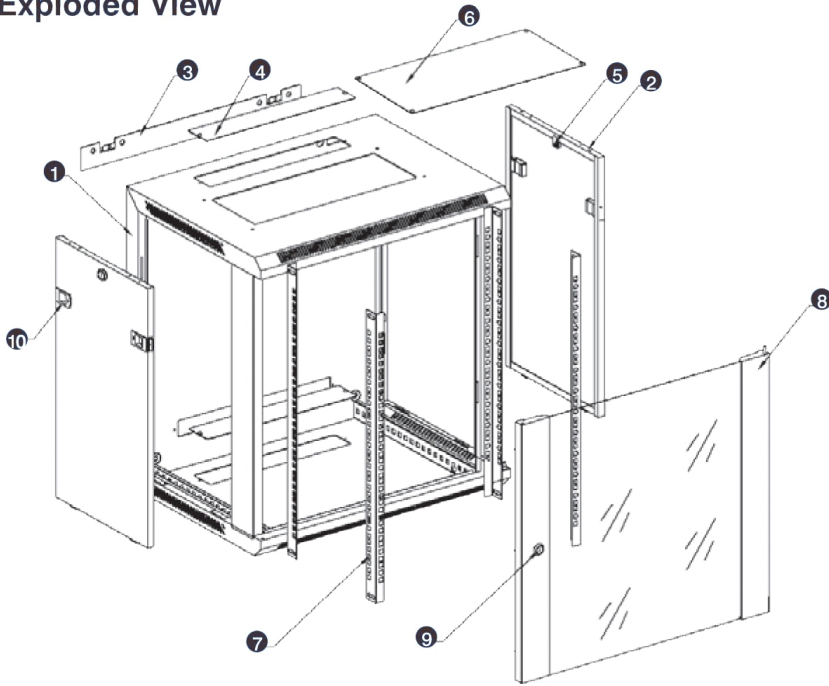
A full range of Excel accessories are available to complete cable or equipment installation from shelving through to ventilation and power distribution units.

**Sectional Views**

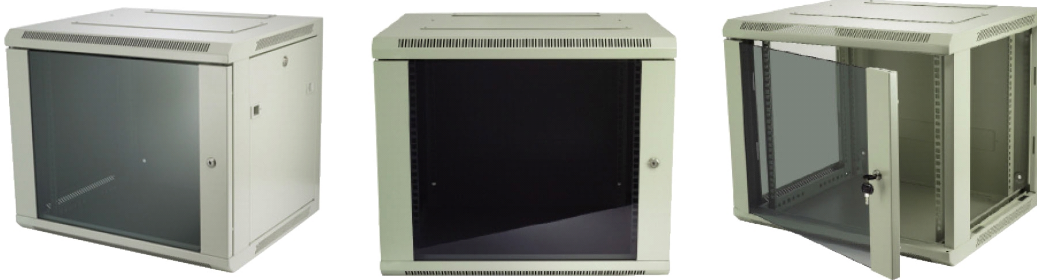


- 1 Slam latch lock
- 2 Side panel
- 3 Mounting panel
- 4 Cable entry cover, removeable
- 5 Side key lock
- 6 Fan cover, removeable
- 7 Mounting profile
- 8 Front door
- 9 Front door key lock

## Exploded View



- ① Frame
- ② Side panel
- ③ Mounting panel
- ④ Cable entry cover, removable
- ⑤ Side key lock
- ⑥ Fan cover, removable
- ⑦ Mounting profile
- ⑧ Front door
- ⑨ Front door key lock
- ⑩ Slam latch lock



- Aesthetically pleasing design with framed glass front door



- Lockable, quick release side panels, for maximum access into cabinet



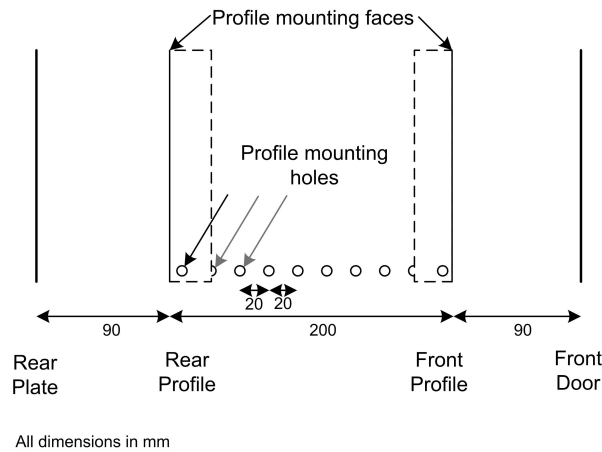
- Cable entry cut out in top and base

- Angled vented roof

- Adjustable 19" mounting profiles

## Internal Dimensions

This diagram indicates the approximate internal dimensions of the wall cabinet and 19" profile mounting positions.



## Material Thickness

Frame	1.20mm
Top cover and fan entry plate	1.20mm
19" mounting angles	1.50mm
Side panels	1.20mm
Front door frame	1.20mm
Front door glass	5.00mm
Cable Entry Knock Out (Roof & Base)	230 mm x 45 mm

## Product Standard Compliance

Manufacturing facility	ISO 9001:2000
19" mounting angles	IEC297-1
Overall cabinet dimensions	IEC297-2
Load carrying capacity	63kg
Paint finish, grey rack	RAL 7044
Paint finish, black rack	RAL 9004
Front door blue trim	RAL 5013
Glass door, safety specification	BS3193:1993
Surface treatment	Phosphate Coating

## Part Numbers

U Size	Width (mm)	Overall Height (mm)	Depth (mm)	Part Number - Grey	Part Number - Grey Flat Pack	Part Number - Black	Part Number - Black Flat Pack
6U	570	368	390	WB6.390SG	WBFP6.390SG	WB6.390SG-BK	WBFP6.390SGB
9U	570	501	390	WB9.390SG	WBFP9.390SG	WB9.390SG-BK	WBFP9.390SG
12U	570	635	390	WB12.390SG	WBFP12.390SG	WB12.390SG-BK	WBFP12.390SGB
15U	570	769	390	WB15.390SG	WBFP15.390SG	WB15.390SG-BK	WBFP15.390SGB
18U	570	901	390	WB18.390SG	WBFP18.390SG	WB18.390SG-BK	WBFP18.390SGB
21U	570	1037	390	WB21.390SG	WBFP21.390SG	WB21.390SG-BK	WBFP21.390SGB

The Excel series of wall mount racks are also available in 500mm and 600mm depths. We also supply a broad range of floor standing cabinets.

## axilan

c.so santorre di santarosa 36, cuneo, Cuneo, 12100, Italia

Tel: +390171692038

Email: [info@axilan.it](mailto:info@axilan.it) Web: [www.axilan.it](http://www.axilan.it)



**AXILAN**<sup>®</sup>  
OPTICAL and COPPER WIRING

E&OE. Excel is a registered trade name of Mayflex Holdings Ltd.

[www.excel-networking.com](http://www.excel-networking.com)